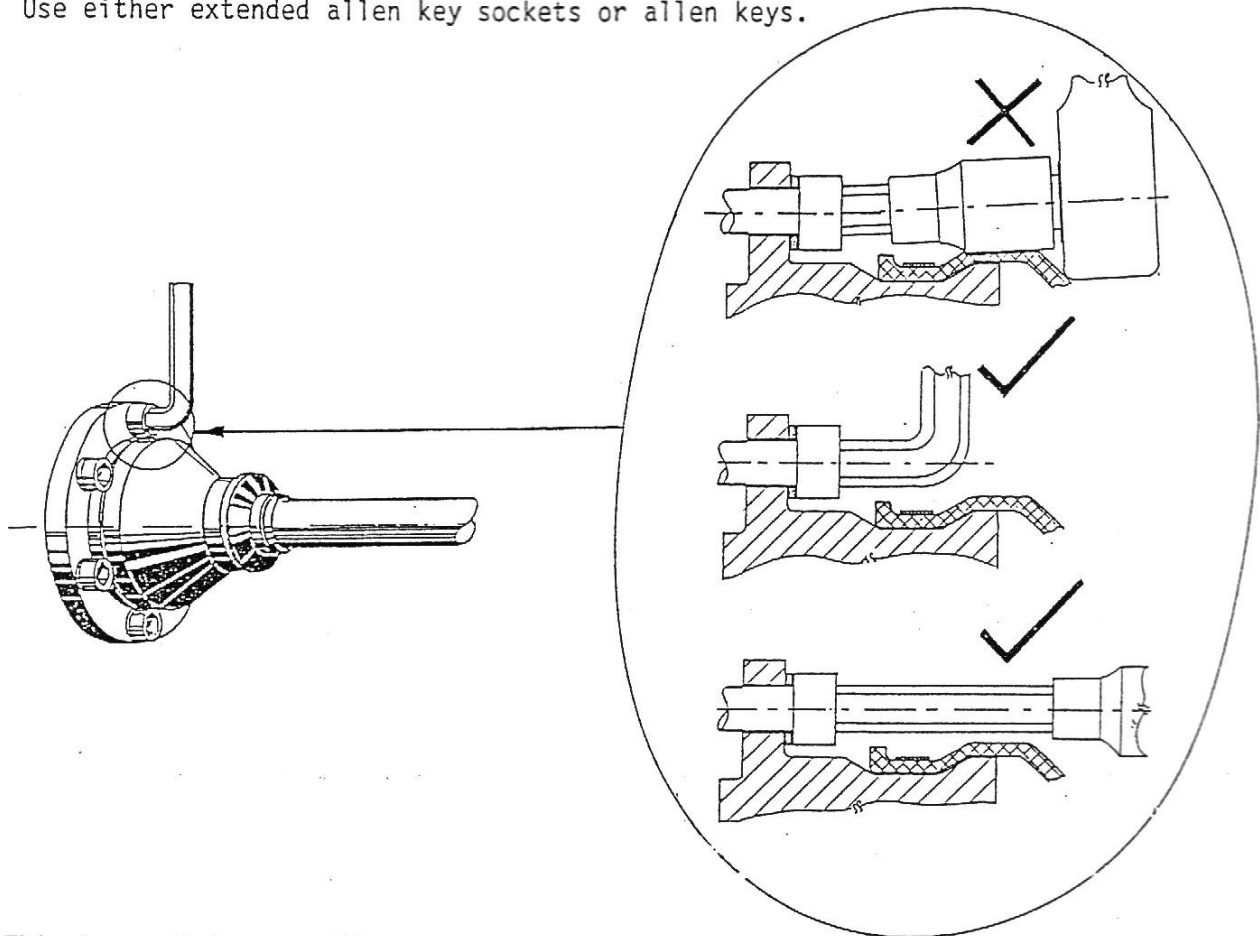


DRIVE SHAFT BOLTS - SEMI TRAILING AXLE

We draw your attention to the possibility of damage to the gaiter of the outer constant velocity joint being caused by the use of inappropriate tools. This damage results in the loss of lubricant and subsequent damage to the drive shaft joint.

The use of short allen key sockets to tighten or remove the allen bolts results in the gaiter being punctured by being trapped between the socket and joint.

Use either extended allen key sockets or allen keys.



This type of damage will not be covered under Warranty.