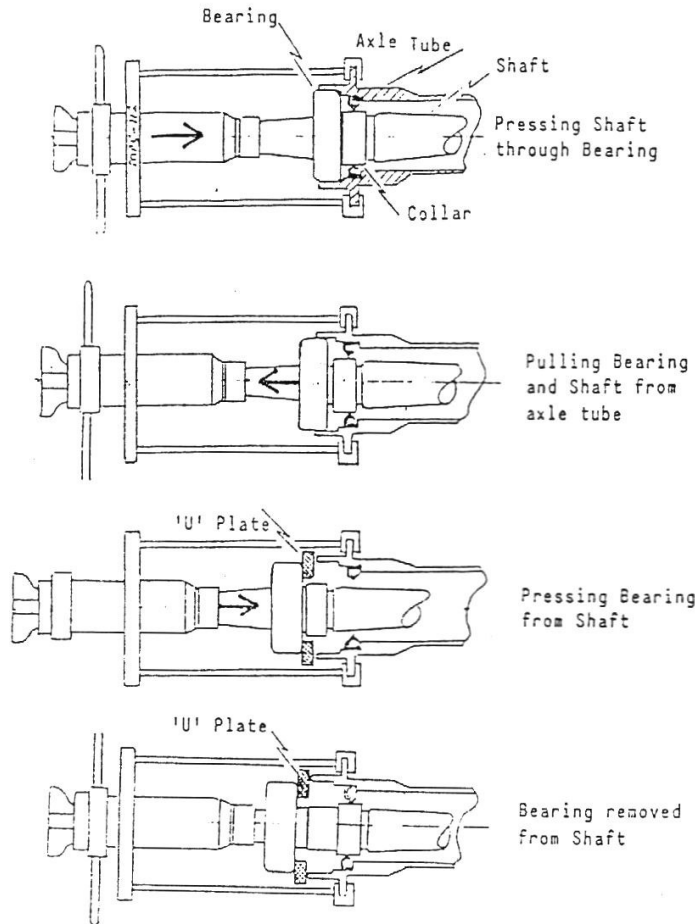
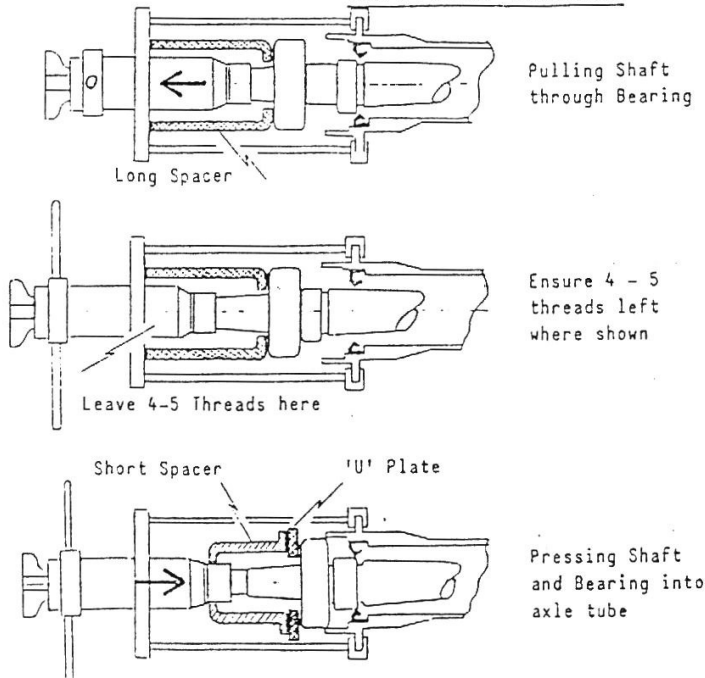


SWING AXLE REMOVAL OF BEARING



REFITTING BEARING



OIL AND GREASE LEAKS

If grease leaks into the drum replace the hub seal and/or 'O' ring seal.

If oil leaks into the drum, replace the hub and inner oil seals.

Always ENSURE THE CAUSE of the leak is rectified..

Some Causes :

- Wear
- Damaged Seal
- Damaged Collar
- Axial movement of Shaft
- Poor Machining.

The BEARING is grease packed.

TOOL AVAILABLE

Bearing Remove  
MP5-112            Hub Bearing

Spares for MP5-112

- MP5-112A            Centre Nut
- MP5-112B            Centre Shaft
- MP5-112D            Knob
- MP5-112E            Horseshoe Plate
- MP5-112F            Top Plate

Seal Installation

- MP5-114            Seal Guide
- MP5-116            Seal Punth

RE-ASSEMBLY

When reassembling hub after removal of bearing, fit a shim

Part Number : 110-319511

between the bearing hub. After 3 shims have been fitted, the collar must be repositioned.